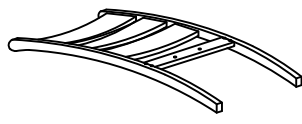
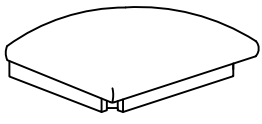
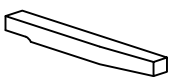
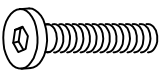


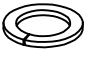


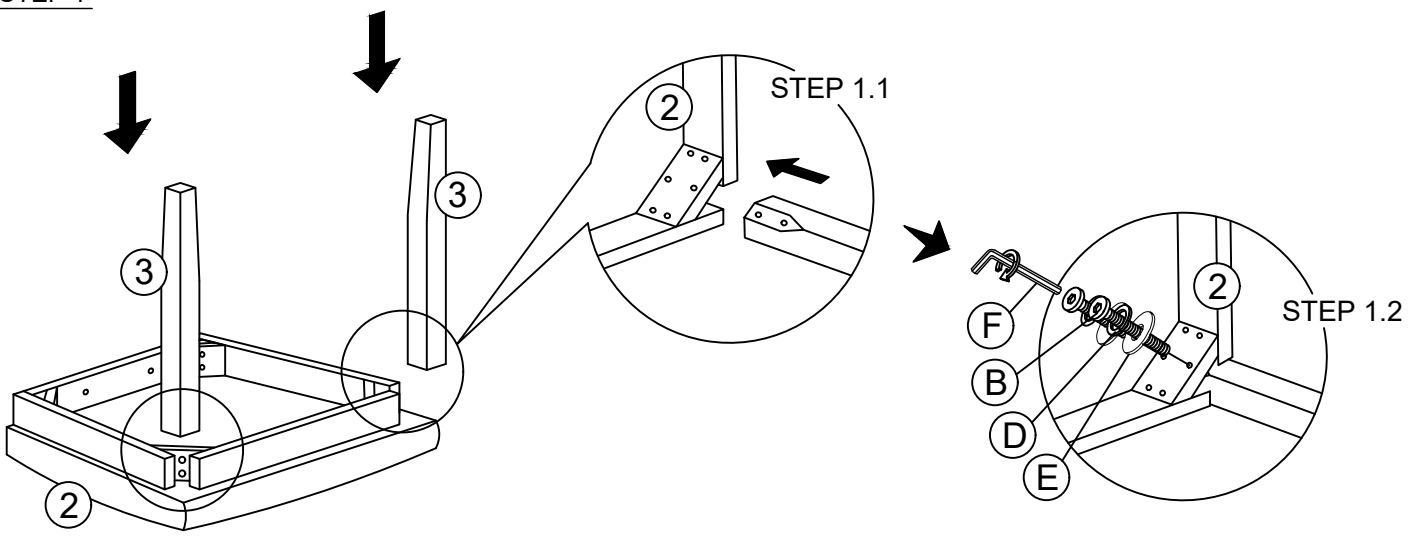
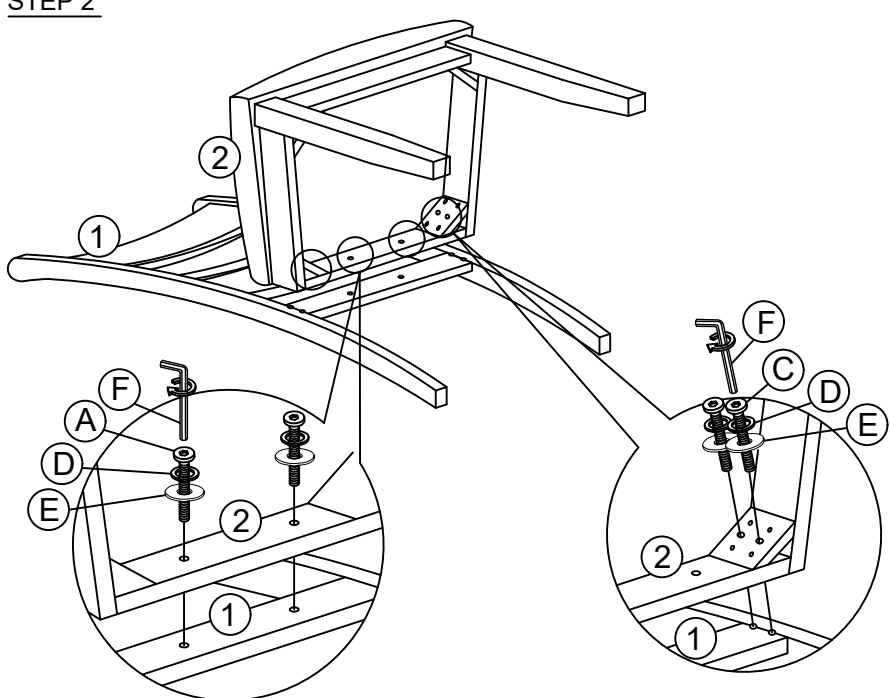
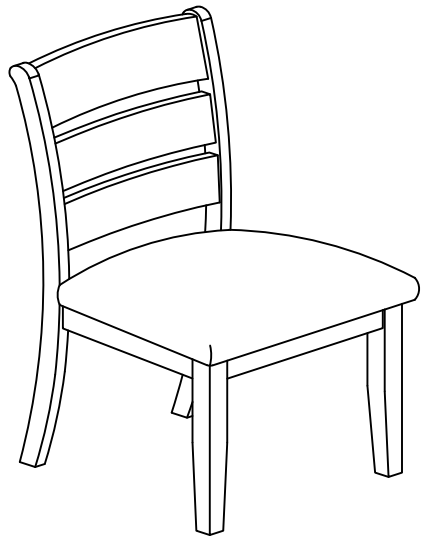


ASSEMBLY INSTRUCTION

MODEL :3033 DINING CHAIR

PARTS LIST		
<p>1</p>  <p>BACKREST x 2</p>	<p>2</p>  <p>CUSHION SEAT x 2</p>	<p>3</p>  <p>FRONT LEG x 4</p>
HARDWARE		
<p>A</p>  <p>JCBC SCREW M6 x 35MM x 4</p>	<p>B</p>  <p>JCBC SCREW M6 x 60MM x 8</p>	<p>C</p>  <p>JCBC SCREW M6 x 80MM x 8</p>
<p>D</p>  <p>SPRING WASHER M6 x 12MM x 20</p>	<p>E</p>  <p>FLAT WASHER M6 x 19MM x 20</p>	<p>F</p>  <p>ALLEN KEY M4 x 58MM x 1</p>
<p>STEP 1</p> 		
<p>STEP 2</p> 		 <p>ASSEMBLY COMPLETED</p>